



JUMO FOODtemp

Insertion thermocouples

- for temperatures from -100 to +260°C
- steam-tight
- high mechanical strength
- for use in the food industry
- with several measurement points

Thanks to their special construction, the rugged steam-tight insertion thermocouples are particularly suitable for cooking and baking processes in all areas of food processing and preservation.

The stainless steel probe tube is available with concentric point or oblique tip.

All versions are highly resistant to shock and vibration. The handles are resistant to oil and acid.

The measuring insert is fitted with thermocouples NiCr-Ni to EN 60 584, Class 1.



Technical data

Connection

cable ends available as: bare wires, with ferrules, receptacles or multipole connector

Compensating cable

PTFE, ambient temperature -100 to +260°C

Handle

PTFE handle, ambient temperature +260°C max.

Protection tube

stainless steel 1.4571, 4mm and 4.5mm dia.

Protection tube end

concentric, angled at approx. 25°
oblique, angled at 45°

Measuring insert

3 x NiCr-Ni K, EN 60 584, Cl. 1, operating temperature -100 to + 260°C
4 x NiCr-Ni K, EN 60 584, Cl. 1, operating temperature -100 to + 260°C
5 x NiCr-Ni K, EN 60 584, Cl. 1, operating temperature -100 to + 260°C

Protection

IP67

JUMO GmbH & Co. KG

Delivery address: Mackenrodtstraße 14,
36039 Fulda, Germany
Postal address: 36035 Fulda, Germany
Phone: +49 661 6003-0
Fax: +49 661 6003-607
e-mail: mail@jumo.net
Internet: www.jumo.net

JUMO Instrument Co. Ltd.

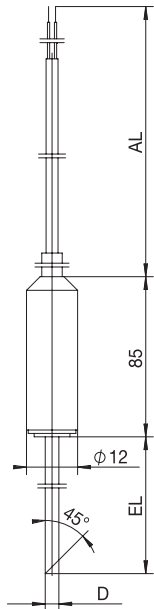
JUMO House
Temple Bank, Riverway
Harlow, Essex CM 20 2TT, UK
Phone: +44 1279 635533
Fax: +44 1279 635262
e-mail: sales@jumo.co.uk
Internet: www.jumo.co.uk

JUMO PROCESS CONTROL INC.

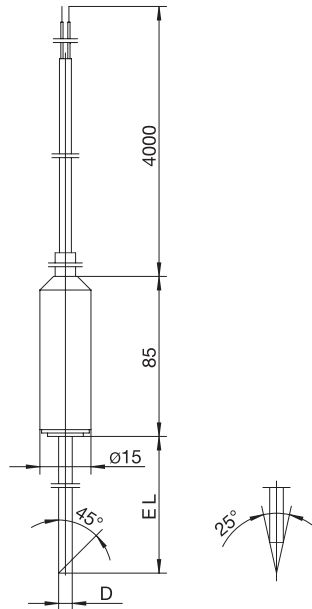
885 Fox Chase, Suite 103
Coatesville PA 19320, USA
Phone: 610-380-8002
1-800-554-JUMO
Fax: 610-380-8009
e-mail: info@JumoUSA.com
Internet: www.JumoUSA.com



Dimensions



Type 901305/33



Type 901305/63

Delivery address: Mackenrodtstraße 14,
36039 Fulda, Germany
Postal address: 36035 Fulda, Germany
Phone: +49 661 6003-0
Fax: +49 661 6003-607
e-mail: mail@jumo.net
Internet: www.jumo.net

JUMO House
Temple Bank, Riverway
Harlow, Essex CM 20 2TT, UK
Phone: +44 1279 635533
Fax: +44 1279 635262
e-mail: sales@jumo.co.uk
Internet: www.jumo.co.uk

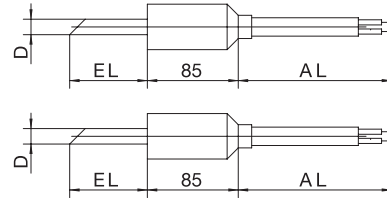
885 Fox Chase, Suite 103
Coatesville PA 19320, USA
Phone: 610-380-8002
1-800-554-JUMO
Fax: 610-380-8009
e-mail: info@JumoUSA.com
Internet: www.JumoUSA.com



Order details: Insertion thermocouples

(1) Basic version

	901305/33	Insertion thermocouple with several measurement points, PTFE handle 12mm dia. and PTFE cable
	901305/63	Insertion thermocouple with several measurement points, PTFE handle 15mm dia. and PTFE cable
x	x	(2) Operating temperature in °C 261 -100 to +260°C
x	x	(3) Measuring insert (arranged over fitting length) 3043 3 x NiCr-Ni K 4043 4 x NiCr-Ni K 5043 5 x NiCr-Ni K (only in conjunction with protection tube dia. D 4.5mm)
x	x	(4) Protection tube diameter D in mm 4 4mm 4.5 4.5mm
x	x	(5) Fitting length EL in mm 100 100mm 150 150mm 200 200mm
x	x	(6) Insertion tip 2 concentric, angled at 25° 3 oblique, angled at 45°
x	x	(7) Compensating cable end 03 bare cable ends 11 ferrules to DIN 46 228 Part 4 (standard) 13 receptacle 6.3 to DIN 46 247 80 multipole connector (please specify type in plain text)
x	x	(8) Compensating cable length AL in mm (500 ≤ AL ≤ 500000) 4000 4000mm (standard) ... please specify in plain text (500mm steps)



Order code	(1)	(2)	(3)	(4)	(5)	(6)	(7)	(8)
Order example	901305/33	- 261	- 3043	- 4	- 100	- 2	- 03	- 4000