



JUMO tecLine Lf-TA Electrolytic Conductivity Cells

version for installation in containers and open sluices

202926 Series (former 2 EL9... Series)

- 2-electrode principle
- proven version for industrial application
- typical measuring ranges: 0 — 1 mS/cm (K=0.1) or 0.01 — 15 mS/cm (K=1.0)
- temperature range up to 90°C, maximum pressure: 6 bar at 20°C

Brief description

Conductivity cells in the 202926 series are used, for instance, in general water engineering or in industrial rinsing and process water circulation. Two variants with the cell constants K=0.1 or 1.0 can be supplied.

The overall construction and the wetted components are physiologically harmless. Stainless steel (K=0.1) or special graphite (K=1.0) is used as the electrode material. The temperature probe, which can optionally be integrated, simultaneously acquires the temperature of the medium, for temperature compensation in connected instrumentation amplifiers.

Stainless steel variant K=0.1: These cells achieve high measurement accuracy, thanks to their concentric arrangement. A Pt100 temperature probe can optionally be integrated in the inner electrode (ex-factory).

Graphite variant K=1.0: Physical requirements necessitate using a special graphite as electrode material for high conductance measurement. The two graphite electrodes are integrated into one PES block, which is screwed tightly into the PP pipe. The optional temperature probe is housed inside a stainless steel sleeve that is immersed into the solution under test.

Two retaining clips are provided for installation (standard). A mounting bracket or DN25 flange (option) can be used for fixing.

Principle of operation

The 20.2926 series measuring cells are 2-electrode cells. An a.c. voltage is applied by means of a transmitter. The current flowing through the liquid and the electrodes is determined by the conductivity of the liquid.

Technical data

Cell constant ¹	K = 0.1 or K = 1.0
Typical ranges	0 — 1 mS/cm (K=0.1) or 0.01 — 15 mS/cm (K=1.0)
Temperature compensation	optionally Pt100
Process connection	pipe clips (standard), mounting bracket or DN25 flange
Body material	PP
Cell material	stainless steel 1.4571 with K=0,1 graphite with K=1.0
Operating temperature	up to +90°C
Maximum pressure	6 bar at 20°C
Electrical connection	instrument connector (Hirschmann) to DIN 43 650, IP65 protection 5 m attached cable, other cable lengths on request.

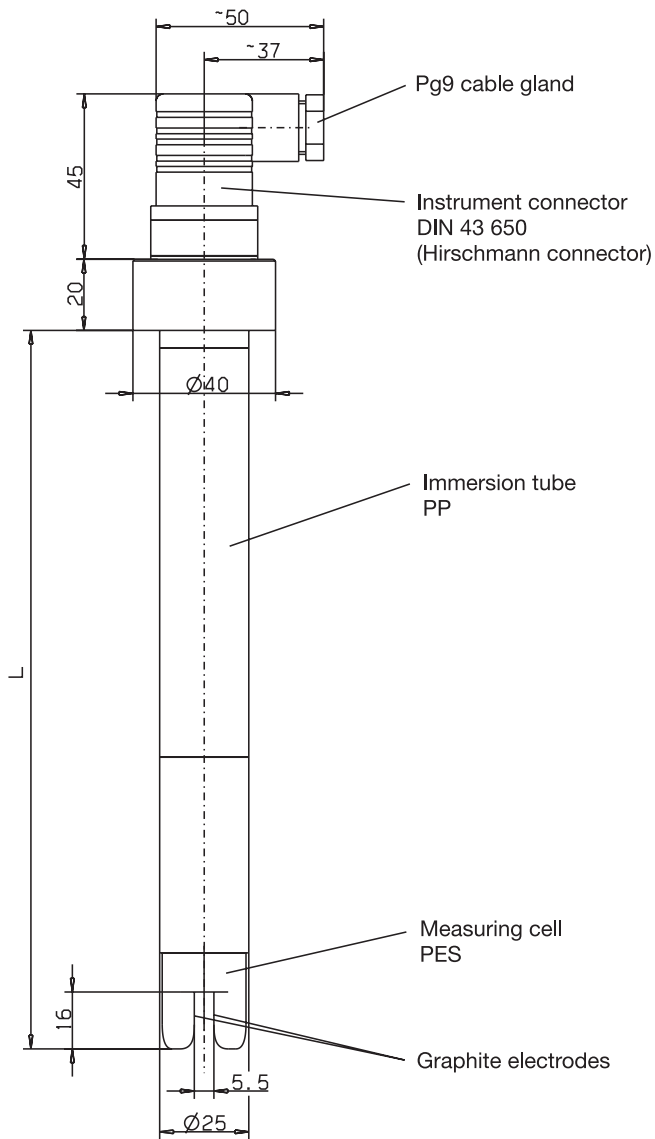
¹ Any deviation of the cell constant can be adjusted on the transmitter.

² The measuring ranges also depend on the transmitter that is used.

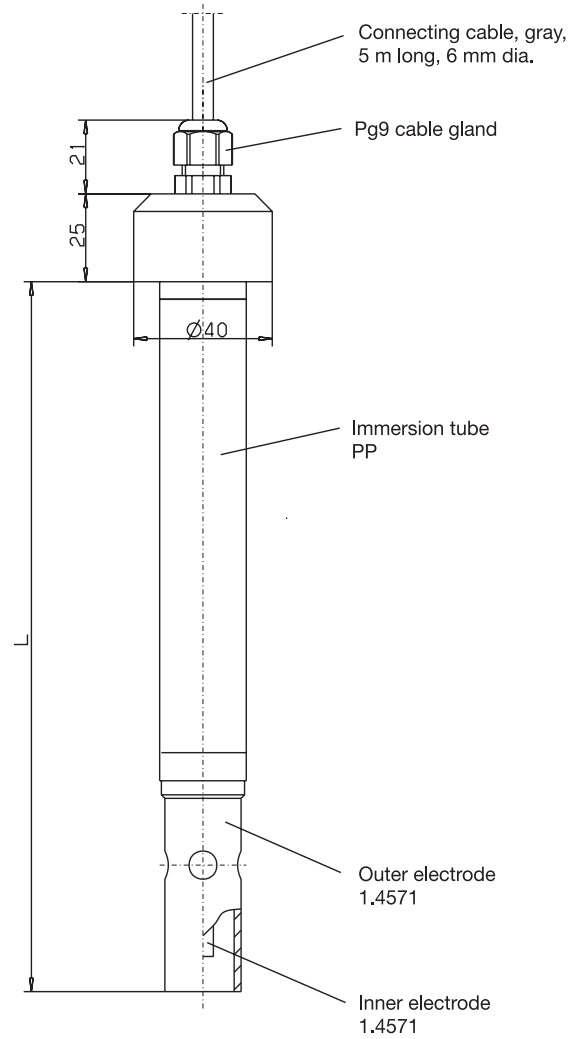
When used for wider ranges than the "typical" ones, measurement errors caused by polarization may occur.



Dimensions

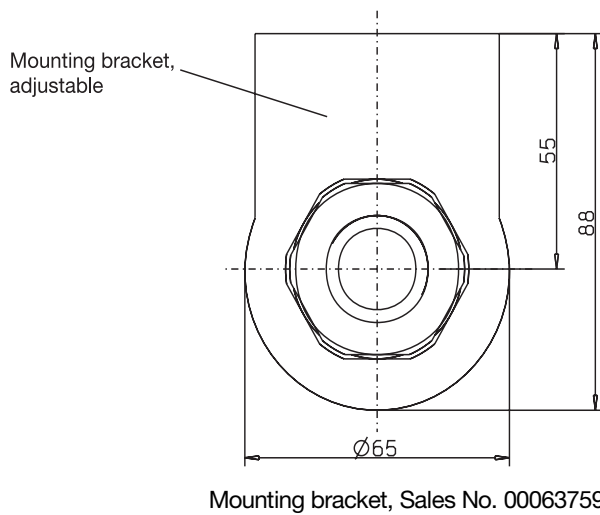
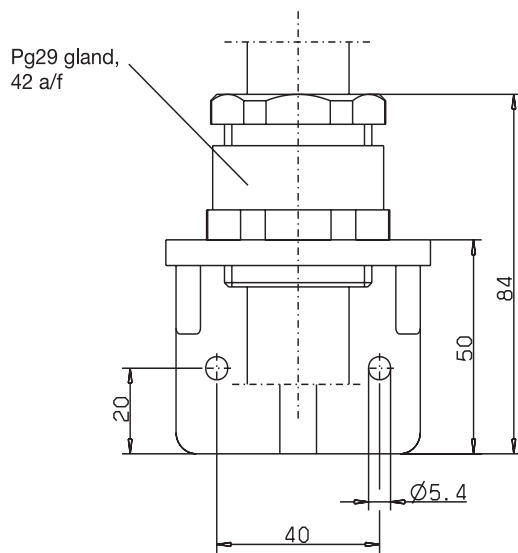
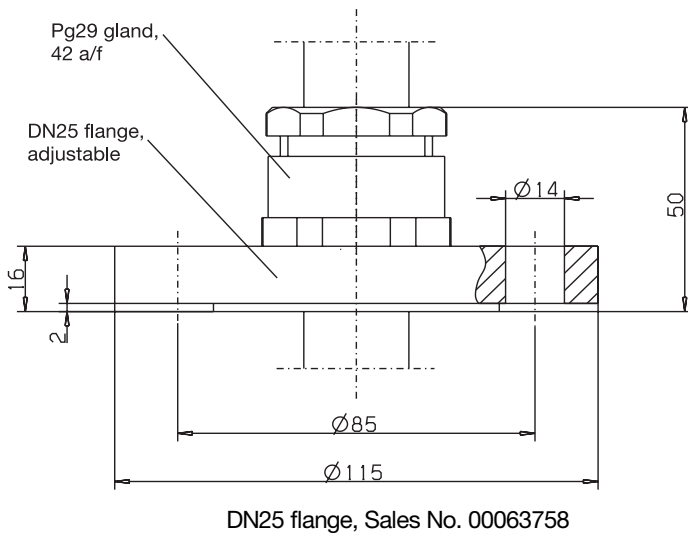


Type 202926/0100-1003-1000-37-87-84/000
cell constant K=1.0




Type 202926/0010-1003-1000-17-87-26/000
cell constant K=0.1

Accessories (optional)



Electrical connection

Connection for	Connector	Attached cable
Outer electrode		white
Inner electrode	2	brown
Temperature com*	1 3	yellow green

*option

Order details

- (1) Basic type**
202926 JUMO tecLine Lf-TA, electrolytic conductivity cells
- (2) Cell constant**
0010 K = 0.1 (range 0 – 1 mS/cm)
0100 K = 1.0 (range 0.01 – 15 mS/cm)
- (3) Temperature sensor**
0000 none
1003 Pt100
- (4) Fitting length (EL)**
1000 1000 mm (standard)
xxxx available lengths: 500 mm, 800 mm, 1000 mm, 1500 mm
(please specify length in plain text)
- (5) Electrical connection**
17 by attached cable, cable length 5 m
37 instrument connector to DIN 43 650 (Hirschmann connector)
- (6) Body material**
87 PP
- (7) Cell material**
26 stainless steel 1.4571
84 graphite
- (8) Extra codes**
000 none

Additional versions on request!

Order code	(1) <input type="text" value="202926"/> / (2) <input type="text" value=""/> - (3) <input type="text" value=""/> - (4) <input type="text" value=""/> - (5) <input type="text" value=""/> - (6) <input type="text" value=""/> - (7) <input type="text" value=""/> / (8) <input type="text" value=""/>
Order example	<input type="text" value="202926"/> / <input type="text" value="0100"/> - <input type="text" value="1003"/> - <input type="text" value="1500"/> - <input type="text" value="17"/> - <input type="text" value="87"/> - <input type="text" value="88"/> / <input type="text" value="000"/>

Non-stock items

Sales No.	Type	Brief description
20/00372159	202926/0100-1003-1000-37-87-84/000	K = 1.0 / Pt100 / EL=1000 mm
20/00307573	202926/0100-1003-1000-17-87-84/000	K = 1.0 / Pt100 / EL=1000 mm / 5 m attached cable

Accessories

Sales No.	Type
20/00063758	DN25 flange
20/00063759	mounting flange